





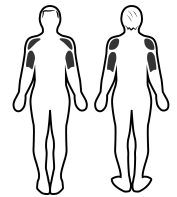
  
**> 1,40m**    **1**    **0,6m**


 1 = 1,02m  
 2 = 0,54m  
 3 = 1,62m

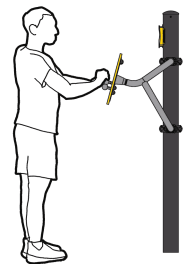

 Motor inclusion



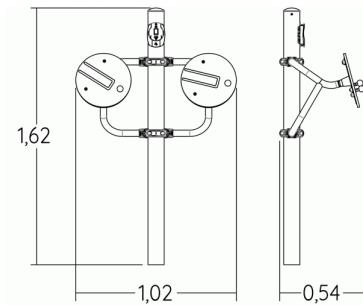
Sports formula



Muscular stimulation



Movements




► **Sports activities :**                    **2**

spinning



x2

 muscle strengthening

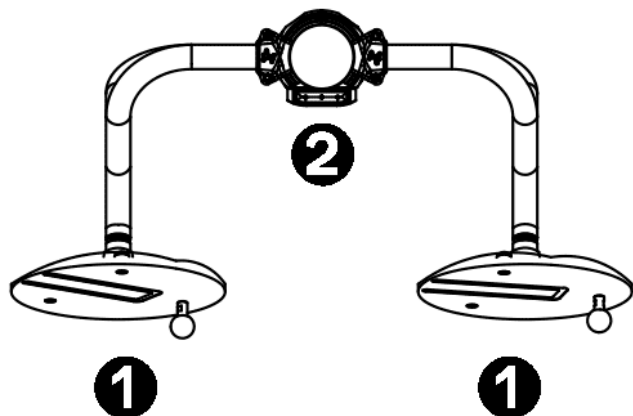
 heart health

 balance

 coordination



## ► Components

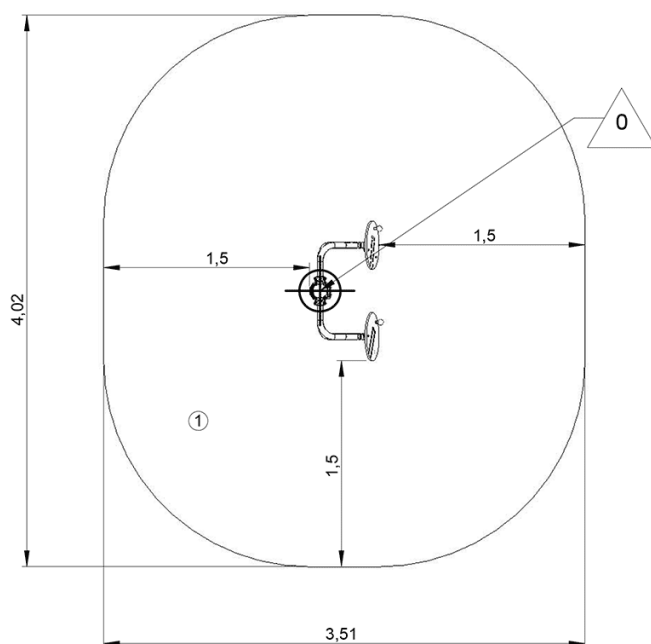
- ① Tai-Chi Wheels
- ② Support téléphone





## ► Installation of equipment

**IMPORTANT:** It is essential to refer to the installation instructions for information on the size of the safety areas.

-  Impact area (minimum normative surface)
-  Free space



		
1	<0,6m	12,5m <sup>2</sup>



2



01h00



0.1m<sup>3</sup>



12.5m<sup>2</sup>



38kg



16kg

